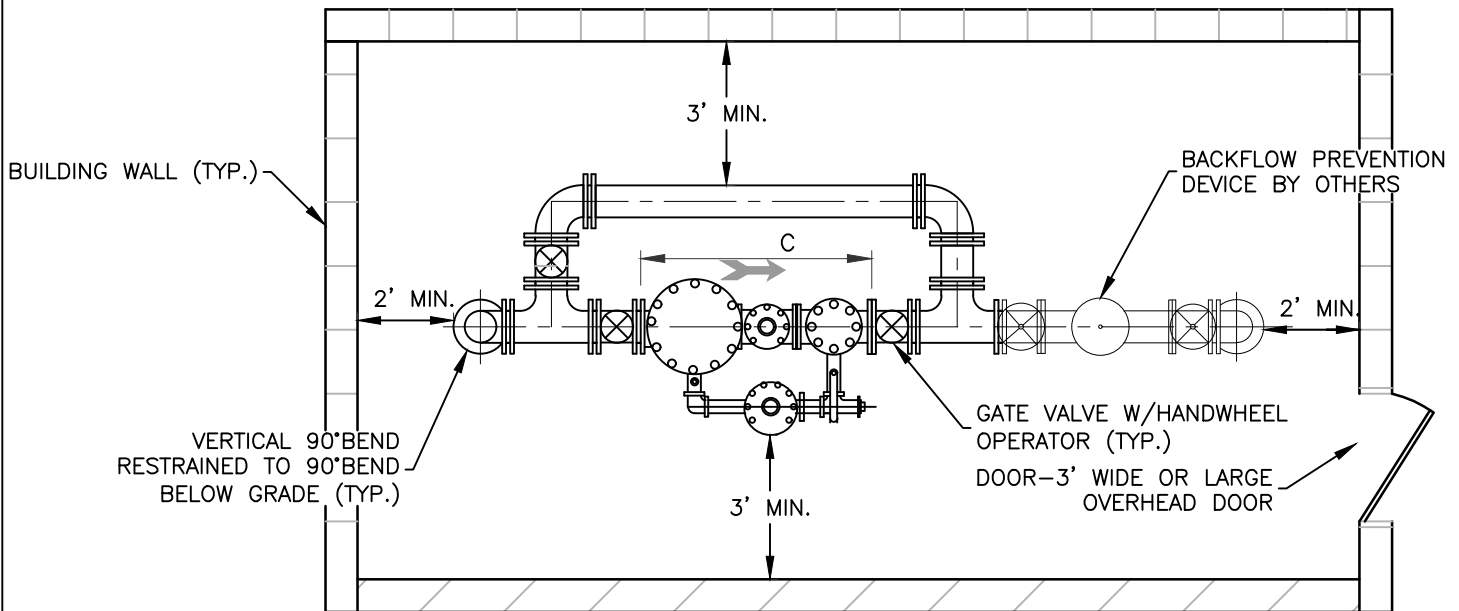


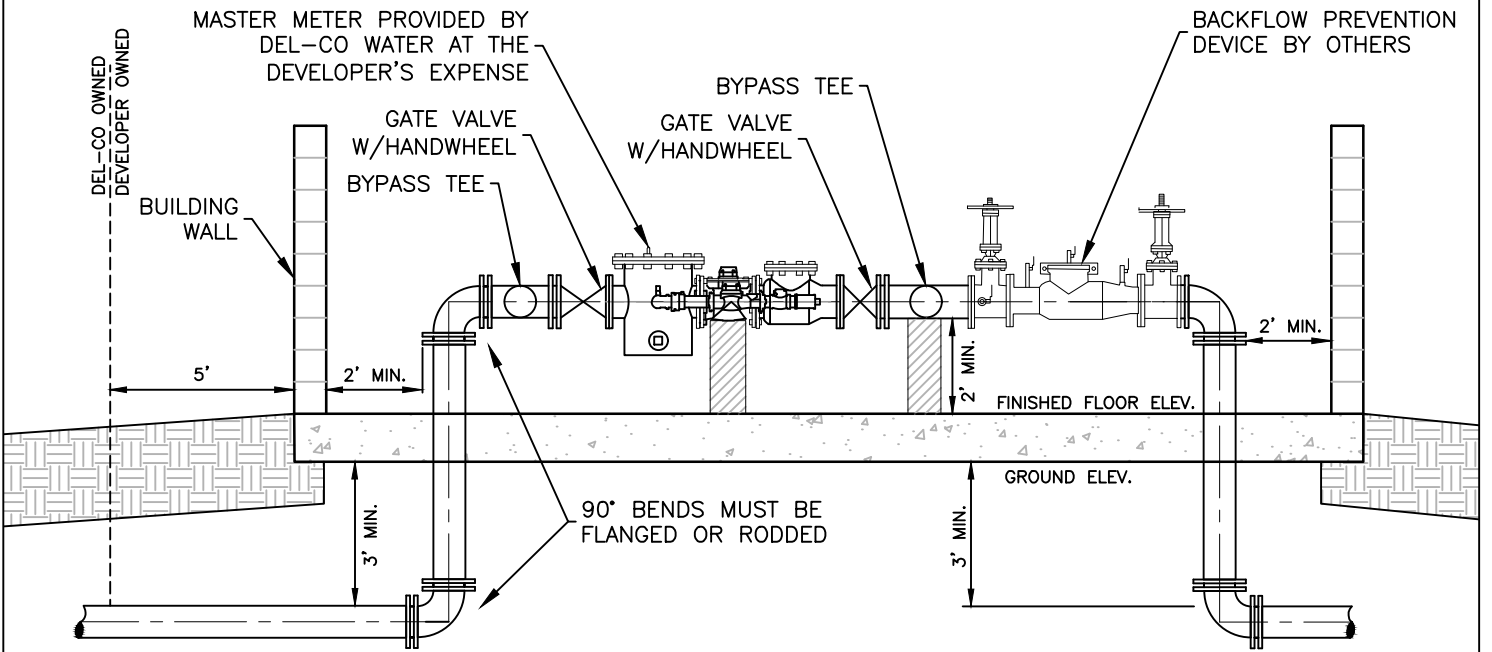
PLAN VIEW



NOTE:

- IT IS THE RESPONSIBILITY OF THE DEVELOPER TO PROVIDE ALL EQUIPMENT AND MATERIALS EXCLUDING THE WATER METER. THE WATER METER SHALL BE FURNISHED BY DEL-CO AT THE DEVELOPER'S EXPENSE.
- DEL-CO SHALL MAKE THE MASTER METER AVAILABLE AT DEL-CO'S FACILITY LOCATED AT 6658 OLENTANGY RIVER ROAD, DELAWARE, OHIO. IT SHALL BE THE RESPONSIBILITY OF THE DEVELOPER TO TRANSPORT THE METER TO THE PROJECT LOCATION AND INSTALL IT PER DEL-CO'S SPECS.
- THE BUILDING/ROOM THAT HOUSES THE MASTER METER SHALL PROVIDE FOR A MINIMUM OF THREE FEET (3') OF CLEARANCE FROM THE SIDE WALLS OF THE BUILDING AND SHALL HAVE AN EXIT THAT PROVIDES A MINIMUM OF THREE FEET (3') IN WIDTH SO THE MASTER METER MAY PASS THRU.
- THE WATERLINE TURN-UP AND ALL WATERLINE LOCATED INSIDE THE MASTER METER BUILDING SHALL BE CLASS 52 DUCTILE IRON PIPE.
- FITTINGS AND PIPE INSTALLED ABOVE GRADE SHALL BE FLANGED AND/OR RESTRAINED USING DUC-LUGS AND ALL THREAD.
- MASTER METERS ARE EQUIPPED WITH A CELLULAR READER WHICH WILL REQUIRE A ONE INCH (1") CONDUIT THROUGH THE EXTERIOR WALL OF THE PROPOSED BUILDING. IT IS THE RESPONSIBILITY OF THE DEVELOPER TO INSTALL THIS CONDUIT AND THEY SHALL COORDINATE THE LOCATION OF THE CONDUIT WITH DEL-CO WATER.
- ALL WATERLINE PIPING WITHIN FIVE FEET (5') OF THE BUILDING, AND WITHIN THE BUILDING SHALL BE MAINTAINED BY THE PROPERTY OWNER, EXCLUDING THE MASTER METER ITSELF, WHICH SHALL CONTINUE TO BE OWNED AND MAINTAINED BY DEL-CO WATER.
- THE PROPERTY OWNER SHALL PROVIDE DEL-CO ACCESS TO THE MASTER METER AT ALL TIMES.
- BUILDING MUST BE KEPT TO A MINIMUM OF 55° F YEAR ROUND.

PROFILE VIEW



STANDARD MASTER METER INSTALLATION IN ABOVE GROUND STRUCTURE

6658 OLENTANGY RIVER RD.
 DELAWARE, OH 43015
 PHONE: (740) 548-7746
 FAX: (740) 548-2089

REVISED
 11 APRIL 24

SCALE
 NTS

PAGE 2 of 2

D-36

G:\Engineering\Construction\Subdivision Standards\Details\Profile - 4/15/2024 8:36:37 AM



DAW