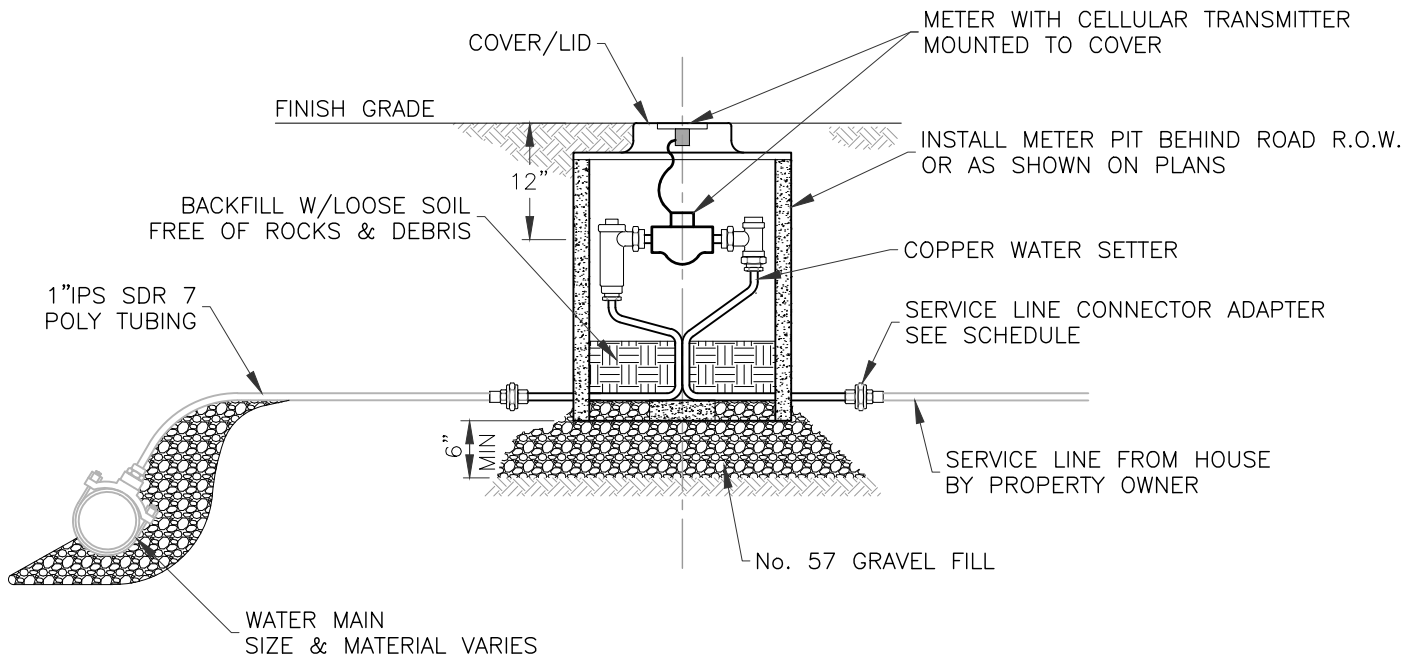


SERVICE LINE CONNECTOR ADAPTER SCHEDULE

SERVICE LINE TYPE	CONNECTOR ADAPTER
COPPER TUBING (¾" OR 1" K COPPER)	BRASS COMPRESSION
COPPER TUBING SIZE PE (¾", 1", 1.5" OR 2" SDR 9)	BRASS COMPRESSION W/ STAINLESS STEEL INSERT
IRON PIPE SIZE TUBING PE (1" SDR 7)	MUELLER INSTA-TITE

NOTE: AS A COURTESY, DEL-CO WILL CONNECT THE PRIVATE SERVICE LINE TO THE METER YOKE WHEN INSTALLING THE METER AS LONG AS THE PRIVATE SERVICE LINE CONFORMS TO THIS ADAPTER SCHEDULE



GENERAL NOTES

1. ALL METER INSTALLATIONS ($\leq 2"$) ARE PERFORMED BY DEL-CO WATER AS PART OF THE TAP PURCHASE
2. METER INSTALLATIONS TYPICALLY SHALL BE EITHER FIVE (5') FEET OUTSIDE PUBLIC RIGHT-OF-WAY OR FIVE (5') BEHIND EXISTING WATER MAIN.

INSTALLATION NOTES

1. COMPACT SOIL AROUND METER PIT. FINE GRADE AND REMOVE ALL ROCKS AND DEBRIS.
2. CENTERLINE OF THE METER SHALL BE INSTALLED BETWEEN 12 & 18 INCHES BELOW FINISHED GRADE.
3. SEED AND MULCH ALL GRASS AREAS DISTURBED BY CONSTRUCTION.
4. RESTORE GRAVEL/PAVEMENT AREAS TO ORIGINAL CONDITION.
5. REMOVE EXCESS FILL OFFSITE OR ADD SUITABLE FILL AS REQUIRED.
6. COMPLETE AS-BUILT RECORD FOR EACH PROPERTY WHEN METER PIT IS INSTALLED.



6658 OLENTANGY RIVER RD.
 DELAWARE, OH 43015
 PHONE: (740) 548-7746
 FAX: (740) 548-2089

**DEL-CO WATER STANDARD
 RESIDENTIAL METER INSTALLATION**

REVISED
 6/16/2023

SCALE
 NTS

PAGE 1 OF 1

D-12