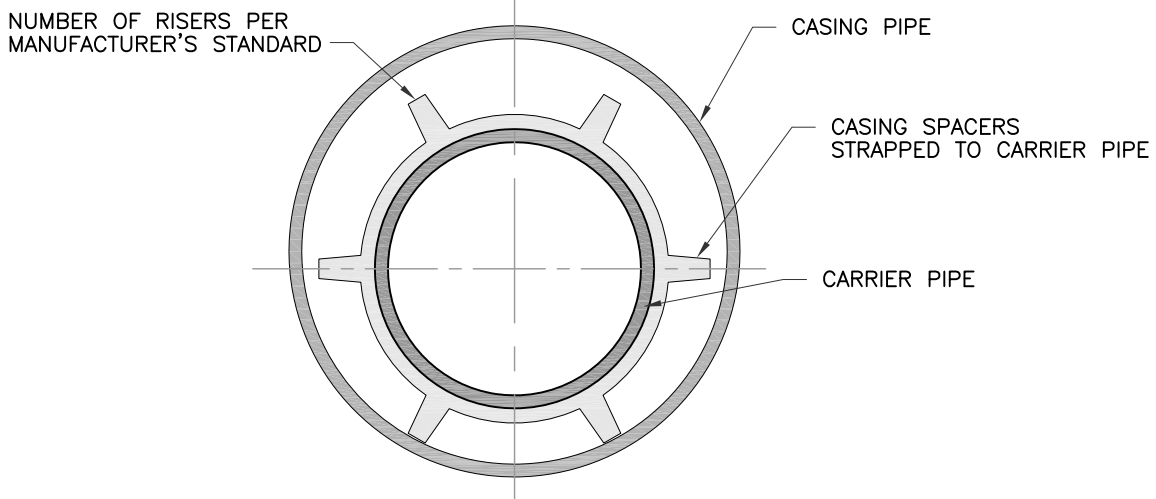


STREAM CROSSING

PROVIDE CASING PIPE FOR ALL STREAM CROSSINGS UNLESS OTHERWISE APPROVED BY DEL-CO. CASING PIPE SHALL BE STEEL PIPE WITH 0.375-INCH WALL THICKNESS. INSIDE DIAMETER OF THE CASING PIPE SHALL NOT EXCEED 3 INCHES OF THE OUTSIDE DIAMETER OF THE CARRIER PIPE AND CASING SPACERS.



6658 OLENTANGY RIVER RD.
 DELAWARE, OH 43015
 PHONE: (740) 548-7746
 FAX: (740) 548-2089

CASING DETAIL—STREAM CROSSING

REVISED
 4 JUNE 18

SCALE
 NTS

PAGE 1 OF 1

D-32