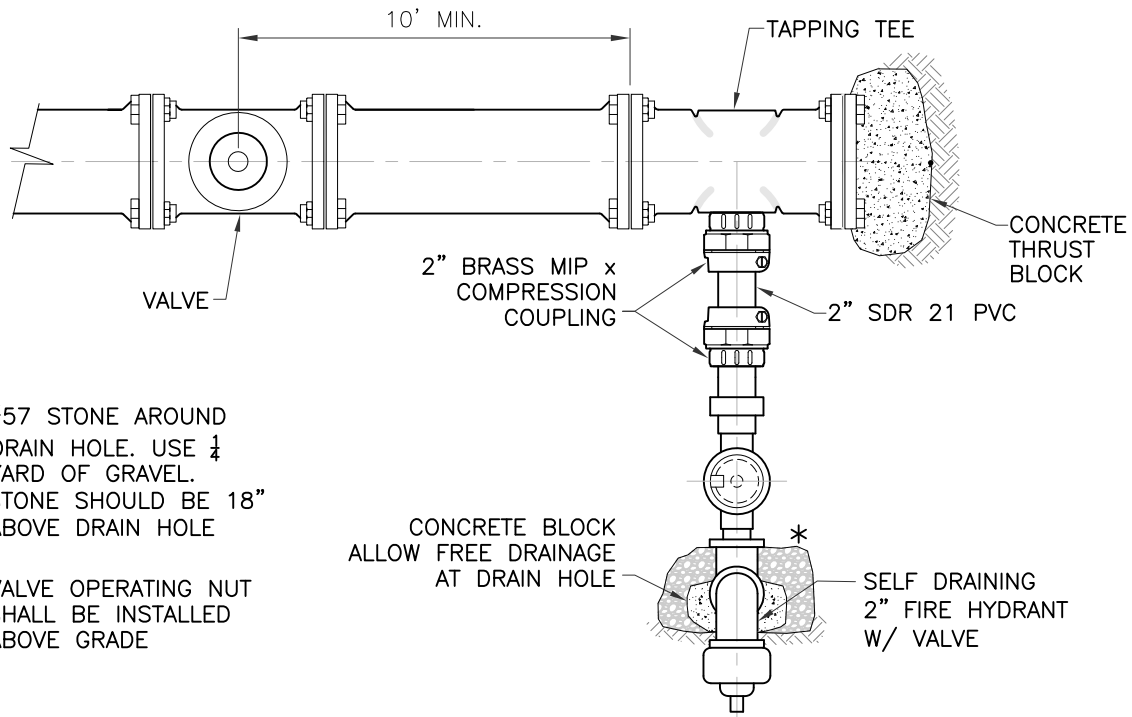


FOR MAINLINE $\leq 4"$
NTS



- * #57 STONE AROUND DRAIN HOLE. USE 1/4 YARD OF GRAVEL. STONE SHOULD BE 18" ABOVE DRAIN HOLE
- ** VALVE OPERATING NUT SHALL BE INSTALLED ABOVE GRADE

FOR MAINLINE $> 4"$
NTS



6658 OLENTANGY RIVER RD.
DELAWARE, OH 43015
PHONE: (740) 548-7746
FAX: (740) 548-2089

**END OF LINE
2" FIRE HYDRANT DETAIL**

REVISED
06 FEBRUARY 20

SCALE
NTS

PAGE 1 OF 1

D-22