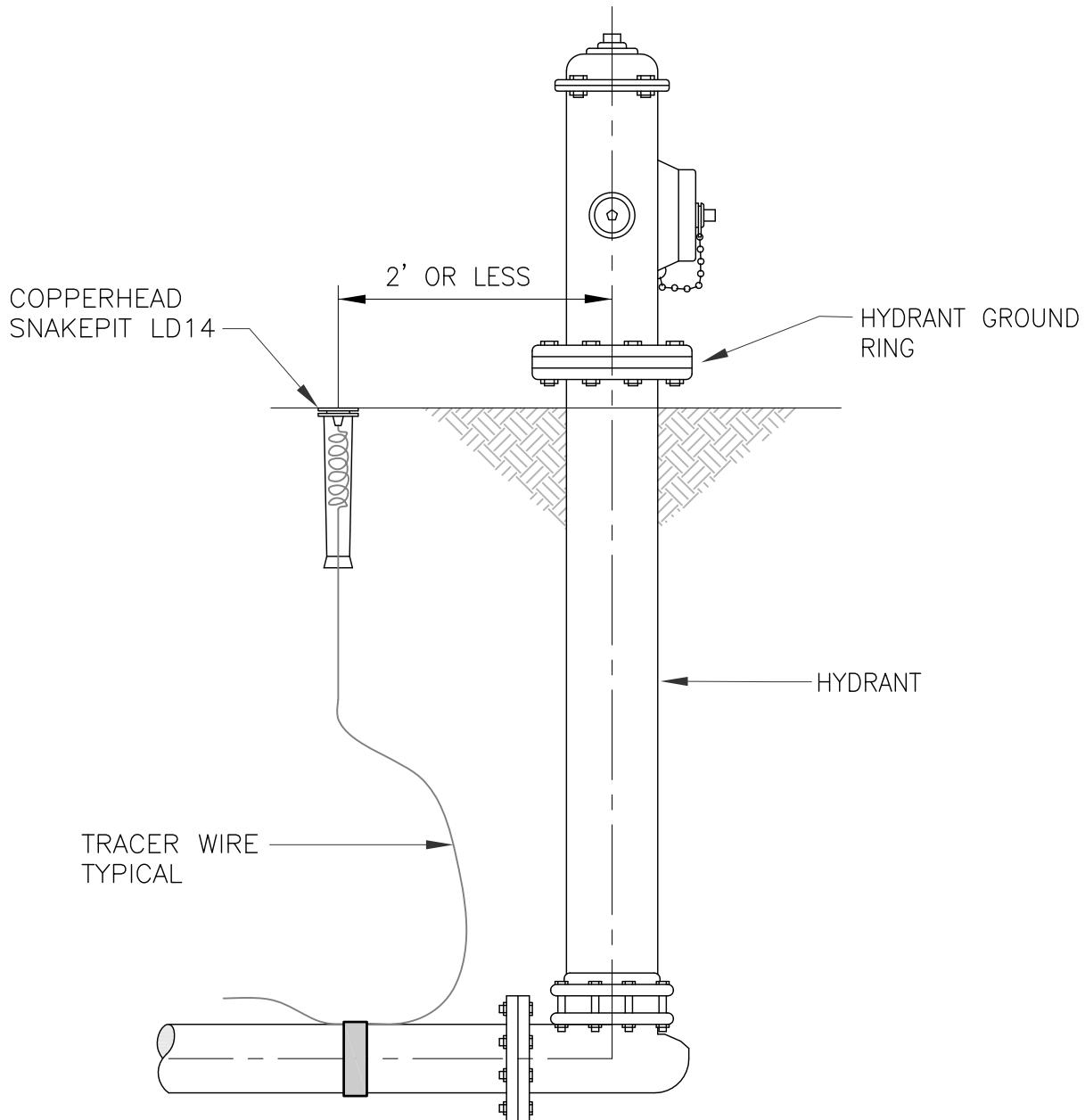


COPPERHEAD SNAKEPIT MAGNETIZED TRACER BOX # LD14\*TP.

1. CURL 18"-24" EXTRA TRACER WIRE IN BOX.
2. CONNECT COPPERHEAD TRACER WIRE TO BRASS NUT ON BOTTOM OF CAST BOX LID.
3. WRAP TRACER WIRE CONNECTION WITH COPPERHEAD WAX TAPE INCLUDED WITH BOX.
4. SECURE LID WITH PENTAGON TOOL.



6658 OLENTANGY RIVER RD.  
DELAWARE, OH 43015  
PHONE: (740) 548-7746  
FAX: (740) 548-2089

## LONG HYDRANT LATERAL TRACER WIRE DETAIL

REVISED  
09 OCT 18

SCALE  
NTS

PAGE 1 OF 1

D-29