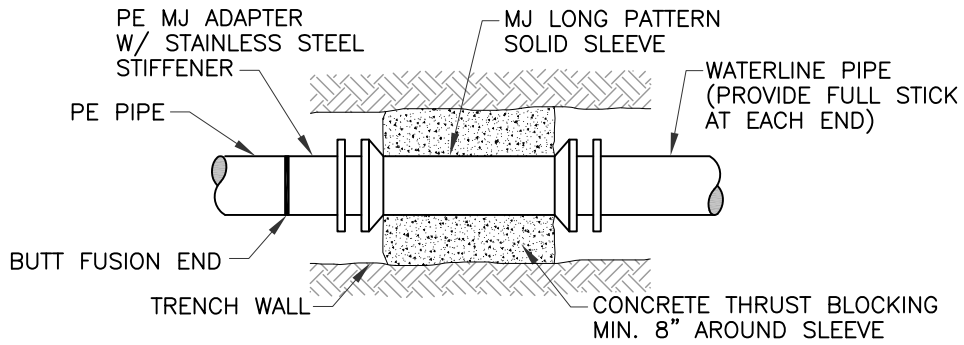
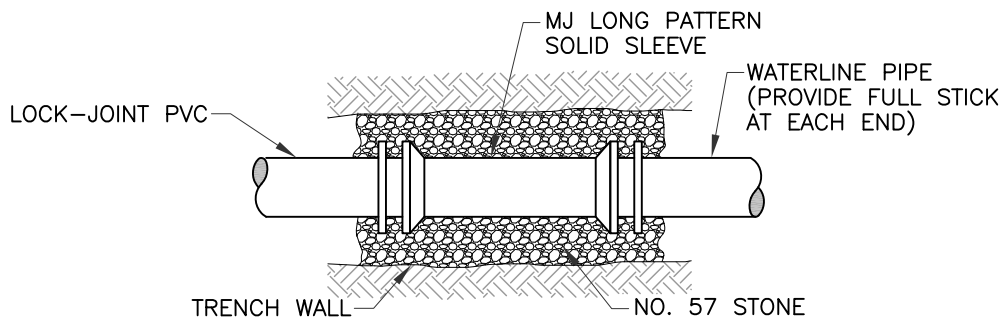


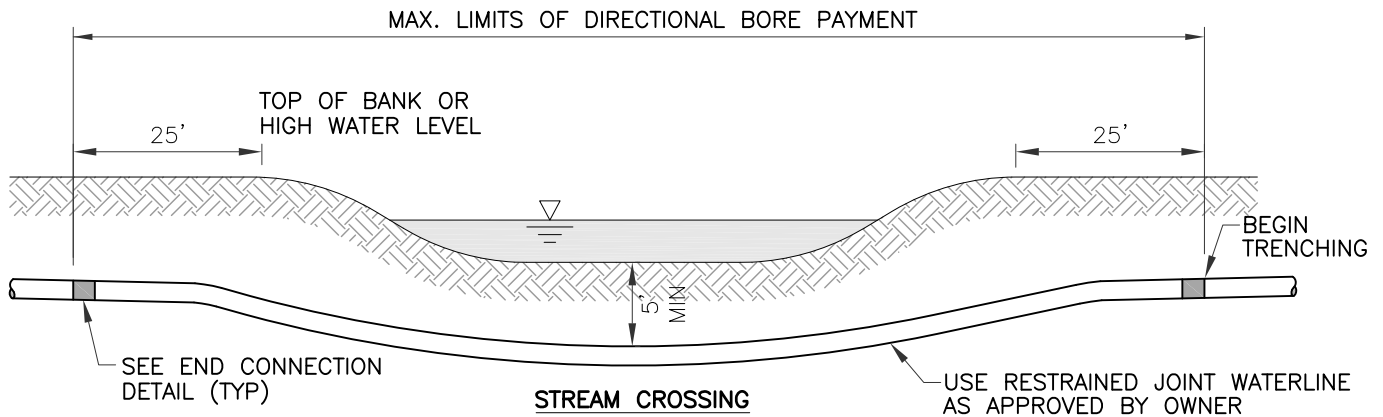
G:\Engineering\Construction\Subdivision Standards\Details - DWG\D-09 Horizontal Directional Drilling.dwg, 1, 8/10/2018 9:54:44 AM



END CONNECTION DETAIL P.E. PIPE



END CONNECTION DETAIL LOCK-JOINT PVC



6658 OLENTANGY RIVER RD.
DELAWARE, OH 43015
PHONE: (740) 548-7746
FAX: (740) 548-2089

HORIZONTAL DIRECTIONAL DRILLING

REVISED
8-10-2018

SCALE
NTS

PAGE 1 OF 1

D-9