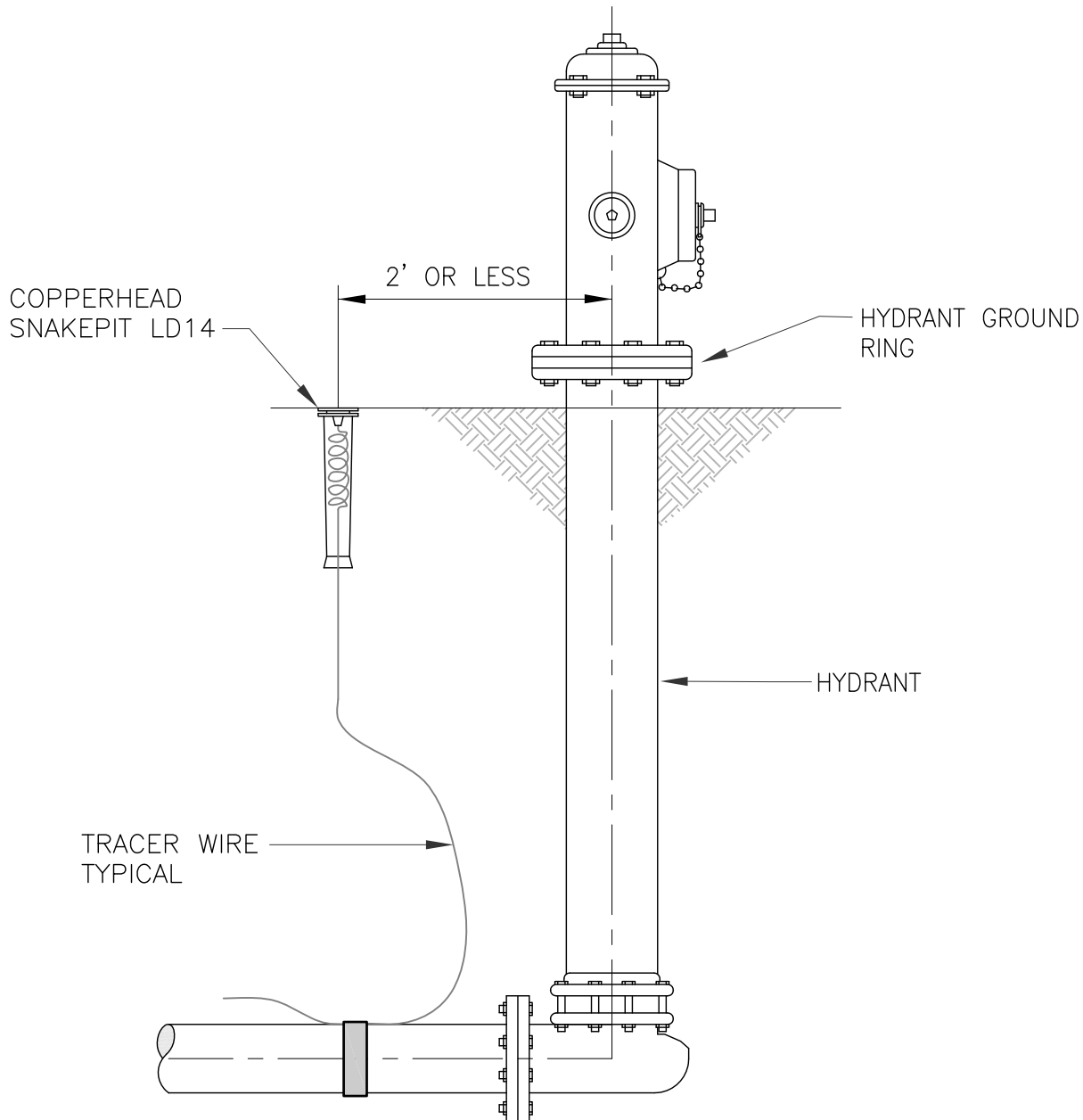
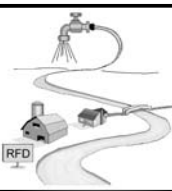


COPPERHEAD SNAKEPIT MAGNETIZED TRACER BOX # LD14*TP.

1. CURL 18"-24" EXTRA TRACER WIRE IN BOX.
2. CONNECT COPPERHEAD TRACER WIRE TO BRASS NUT ON BOTTOM OF CAST BOX LID.
3. WRAP TRACER WIRE CONNECTION WITH COPPERHEAD WAX TAPE INCLUDED WITH BOX.
4. SECURE LID WITH PENTAGON TOOL.



G:\Engineering\Construction\Subdivision Standards\Details - DWG\D-29 Long Hydrant Lateral Tracer Wire Detail.dwg, 3, 9/3/2013 10:25:58 AM



**Del-Co
Water Co., Inc.**
6773 OLENTANGY RIVER RD.
DELAWARE, OH 43015

LONG HYDRANT LATERAL TRACER WIRE DETAIL

REVISED
9-03-13

SCALE
NTS

PAGE 1 OF 1

D-29