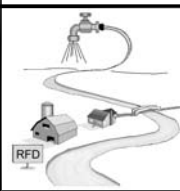
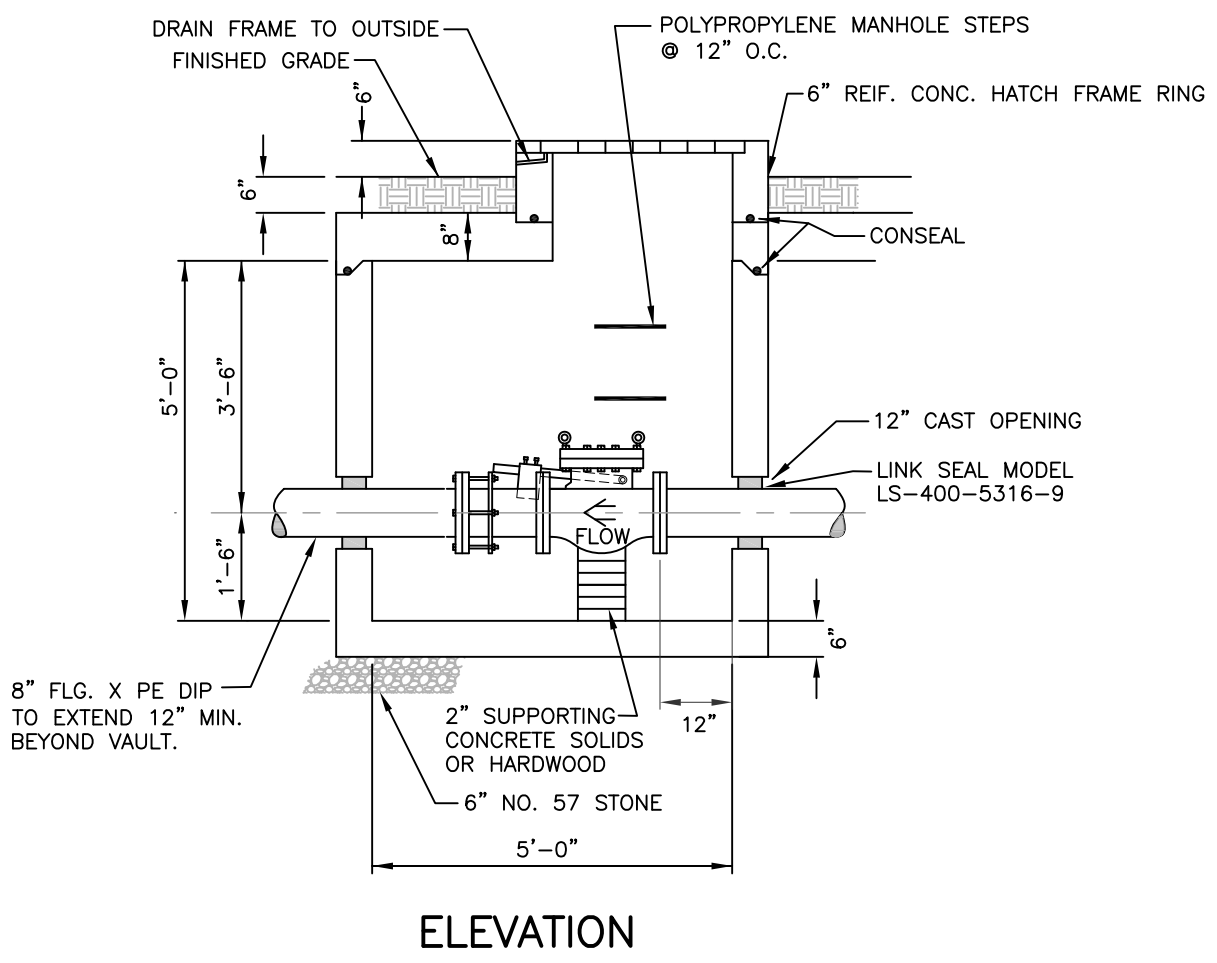
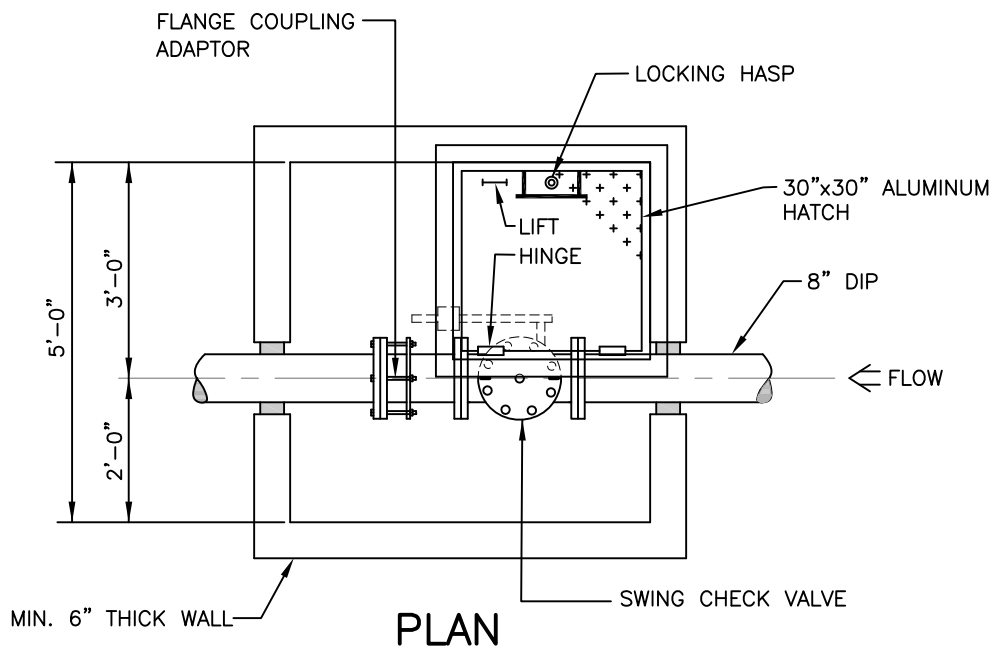


G:\Engineering\Construction\Subdivision Standards\Details - DWG\ID-27 Check Valve Vault.dwg, Plan, 10/25/2013 8:18:50 AM



Del-Co Water Co., Inc.
 6773 OLENTANGY RIVER RD.
 DELAWARE, OH 43015

CHECK VALVE VAULT

REVISED 10-25-13 WRW	SCALE 3/8" = 1'	PAGE 1 OF 2	D-27
-------------------------	--------------------	-------------	------

NOTES:

1. VAULT SHALL BE PRECAST REINFORCED CONCRETE, CONSTRUCTED AS A SINGLE WATERTIGHT UNIT WITH THE EXCEPTION OF THE TOP SLAB AND THE ACCESS HATCH RING. PVC WATERSTOP SHALL BE PLACED AT ALL CONSTRUCTION JOINTS AND BE CONTINUOUS FOR THE LENGTH OF JOINT WITH ENDS SEAL WELDED. VAULT SHALL BE DESIGNED BY AN OHIO REGISTERED PROFESSIONAL ENGINEER TO WITHSTAND AN AASHTO H20 LIVE LOAD. PROVIDE ENGINEERED STAMPED DRAWING SUBMITTAL STATING DESIGN PARAMETERS.
2. CHECK VALVE SHALL BE SWING CHECK TYPE MEETING AWWA C-508 STANDARDS WITH DUCTILE IRON BODY, 150 LB. FLANGE ENDS, DUCTILE IRON DISC REMOVABLE THROUGH TOP FLANGE, STAINLESS STEEL INTERIOR TRIM, AND EXTERNAL LEVER ARM AND WEIGHT. MOUNT LEVER ON WIDE SIDE OF VAULT. CRISPIN MODEL SWC SERIES OR EQUAL.
3. ACCESS HATCH SHALL BE ALUMINUM CHECKERED PLATE WITH EXTRUDED ALUMINUM FRAME. PROVIDE WITH TYPE 316 STAINLESS STEEL HINGES, HOLD OPEN ARM, AND OTHER HARDWARE. DESIGN LIVE LOAD SHALL BE 300 PSF. PROVIDE WITH FLUSH DROP HANDLE AND STAPLE TO RECEIVE OWNER'S PADLOCK. FRAME SHALL BE CAST IN REINFORCED CONCRETE RING. DRAIN FRAME TO OUTSIDE. APPLY BITUMINOUS COATING TO SURFACES IN CONTACT WITH CONCRETE. U.S.F. FABRICATION TPS 300 OR EQUAL.
4. PIPING INSIDE VAULT SHALL BE FLANGED CLASS 52 DIP. PROVIDE SHOP PRIMER COMPATIBLE WITH FINISH COATING SYSTEM.
5. PAINT ALL PIPING AND EQUIPMENT INSIDE VAULT AFTER ASSEMBLY WITH TWO COATS OF TNE MEC N140 POTAPOX AT 4.0-6.0 MILS DFT, SAFETY BLUE.

Del-Co
Water Co., Inc.

6773 OLENTANGY RIVER RD.
DELAWARE, OH 43015

CHECK VALVE VAULT

REVISED
9-25-13 WRW

SCALE
NONE

PAGE 2 OF 2

D-27

