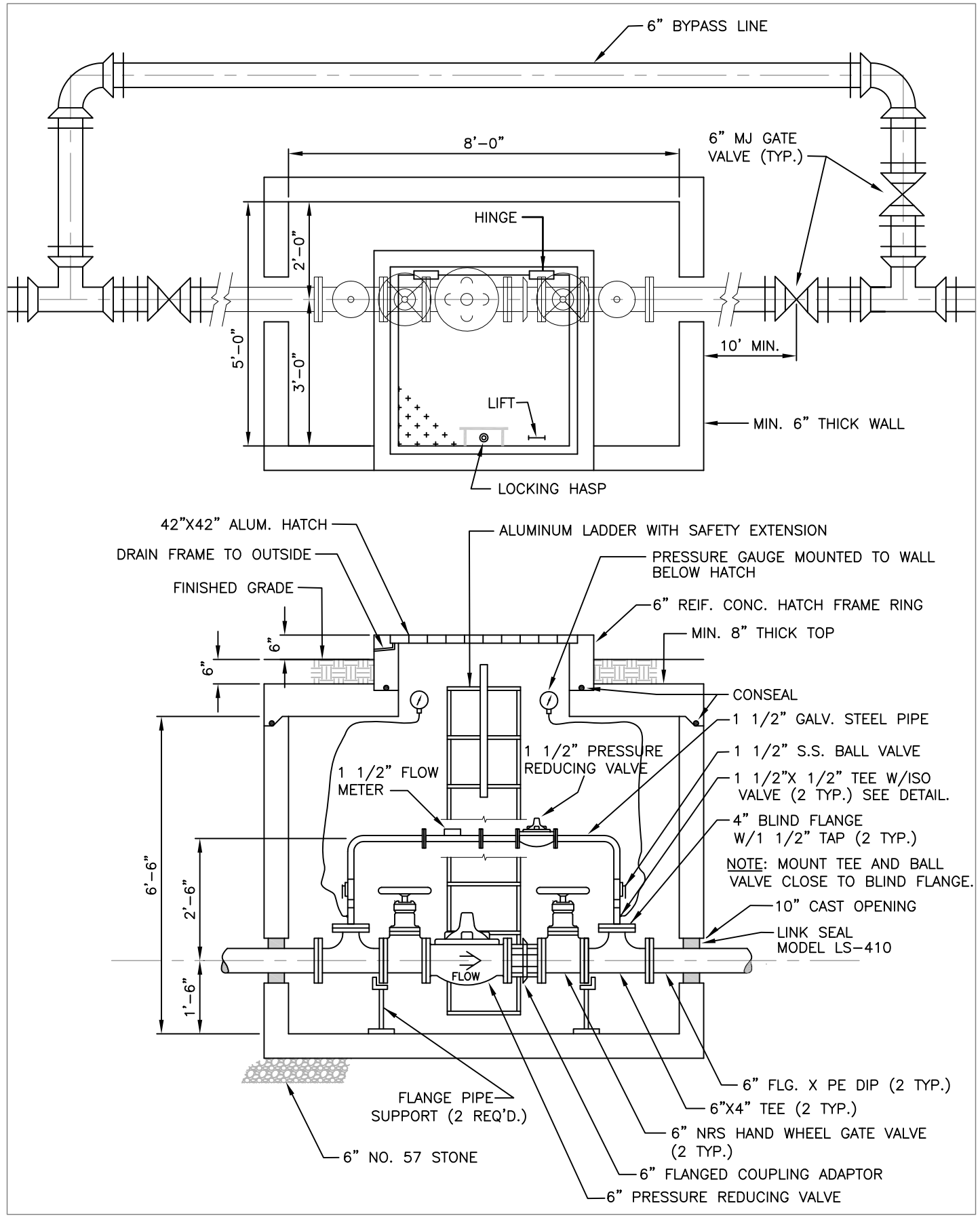


G:\Engineering\Construction\Subdivision Standards\Details - DWG\ID-25MasterPressureReducingValveVault.dwg, Plan, 8/13/2014 7:59:23 AM



# MASTER PRESSURE REDUCING VALVE VAULT

**Del-Co Water Co., Inc.**  
 6773 OLENTANGY RIVER RD.  
 DELAWARE, OH 43015

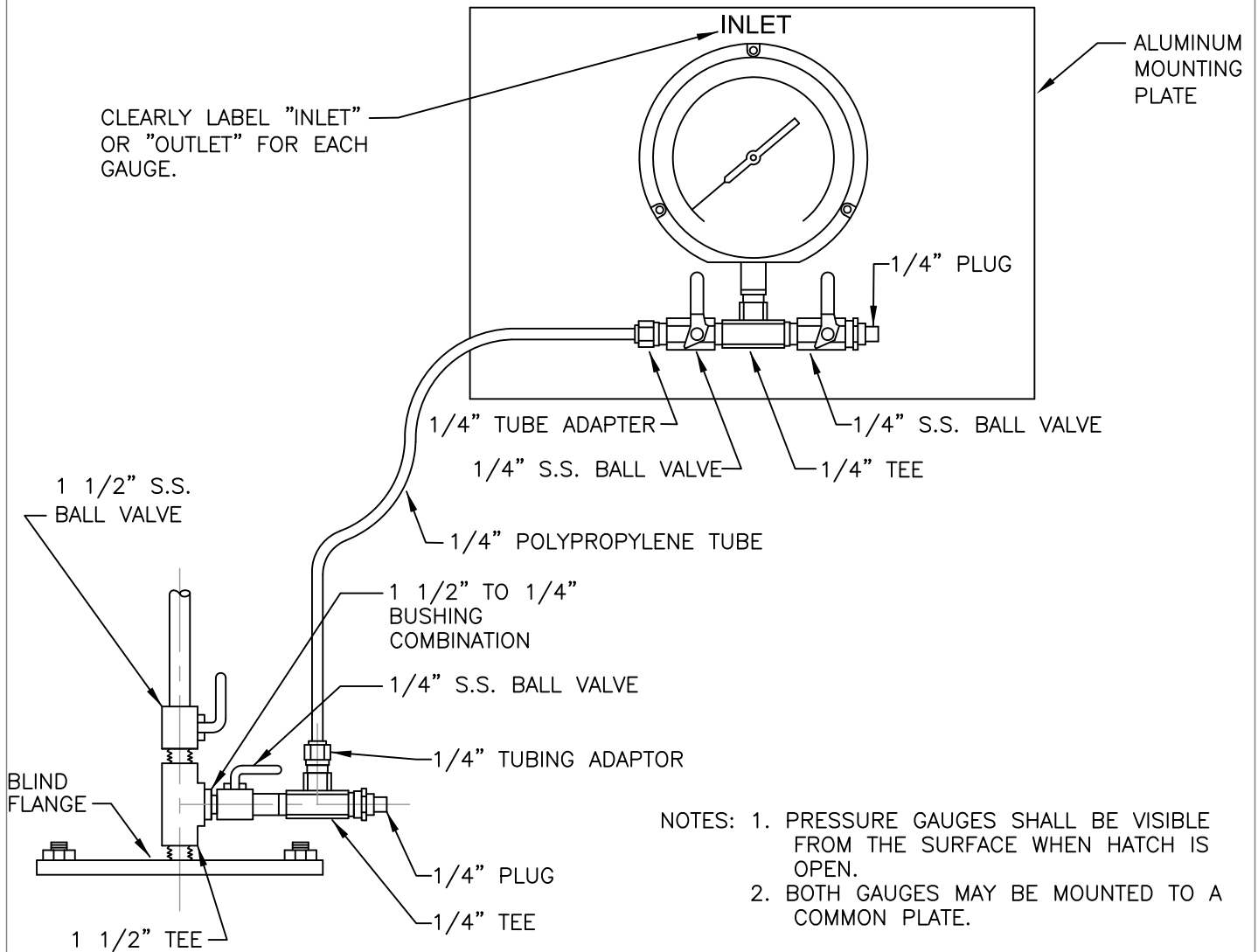
REVISED  
 15-JULY 14

SCALE  
 3/8" = 1'

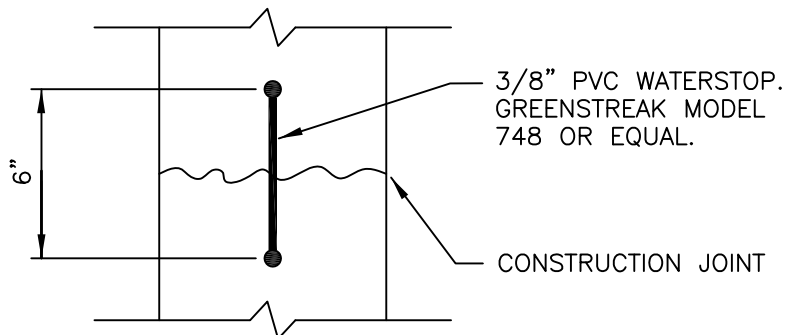
PAGE 1 OF 3

D-25





**PRESSURE GAUGE DETAIL**



**WATERSTOP DETAIL**



**Del-Co  
Water Co., Inc.**  
6773 OLENTANGY RIVER RD.  
DELAWARE, OH 43015

**MASTER PRESSURE REDUCING  
VALVE VAULT**

REVISED  
22-JULY 14

SCALE  
NONE

PAGE 2 OF 3

D-25

NOTES:

1. VAULT SHALL BE PRECAST REINFORCED CONCRETE, CONSTRUCTED AS A SINGLE WATERTIGHT UNIT WITH THE EXCEPTION OF THE TOP SLAB AND THE ACCESS HATCH RING. PVC WATERSTOP SHALL BE PLACED AT ALL CONSTRUCTION JOINTS AND BE CONTINUOUS FOR THE LENGTH OF JOINT WITH ENDS SEAL WELDED. PROVIDE FOUR INTERIOR LIFTING CABLES AT EACH CORNER. VAULT SHALL BE DESIGNED BY AN OHIO REGISTERED PROFESSIONAL ENGINEER TO WITHSTAND AN AASHTO H20 LIVE LOAD, WITH EXCEPTION OF HATCH. PROVIDE ENGINEERED STAMPED DRAWING SUBMITTAL STATING DESIGN PARAMETERS.
2. ACCESS HATCH SHALL BE ALUMINUM CHECKERED PLATE WITH EXTRUDED ALUMINUM FRAME. PROVIDE WITH TYPE 316 STAINLESS STEEL HINGES, HOLD OPEN ARM, AND OTHER HARDWARE. DESIGN LIVE LOAD SHALL BE 300 PSF. PROVIDE WITH FLUSH DROP HANDLE AND STAPLE TO RECEIVE OWNER'S PADLOCK. FRAME SHALL BE CAST IN REINFORCED CONCRETE RING. DRAIN FRAME TO OUTSIDE. APPLY BITUMINOUS COATING TO SURFACES IN CONTACT WITH CONCRETE. U.S.F. FABRICATION TPS 300 OR EQUAL.
3. PRESSURE REDUCING VALVES SHALL BE CLA-VAL MODEL 90-01 WITH DUCTILE IRON BODY, 150 LB. FLANGED ENDS, STAINLESS STEEL SEAT, DISC GUIDE AND ALL OTHER INTERIOR TRIM. CONTROL PIPING SHALL INCLUDE ISOLATION VALVES AT MAIN BODY, SPEED CONTROL VALVES FOR OPENING AND CLOSING, "Y" STRAINER, AND X101 MAIN VALVE POSITION INDICATOR, PILOT VALVE SHALL BE BRONZE WITH STAINLESS STEEL TRIM.
4. VAULT LADDER SHALL BE ALUMINUM, ANCHORED TO FLOOR AND WALL USING 7 INCH STANDOFFS AND STAINLESS STEEL ANCHORS, WIDTH SHALL BE 18 INCHES AND RUNGS SPACED AT 12 INCHES. PROVIDE RETRACTABLE ALUMINUM 40-INCH MINIMUM HEIGHT SAFETY EXTENSION.
5. GATE VALVES SHALL BE AWWA C509 RESILIENT WEDGE NON-RISING STEM WITH HAND WHEEL OPERATOR AND 150 LB. FLANGED ENDS.
6. FLOW METER SHALL BE BATTERY POWERED MAGNETIC FLOW METER WITH STAINLESS STEEL BODY AND FLANGED ENDS. ELSTER MODEL EVOQ4
7. PIPING INSIDE VAULT FOUR INCH AND LARGER SHALL BE FLANGED CLASS 52 DIP. PROVIDE SHOP PRIMER COMPATIBLE WITH FINISH COATING SYSTEM. PIPE SMALLER THAN FOUR INCH SHALL BE SCHEDULE 80 GALVANIZED STEEL PIPE. SMALLER PIPE FITTINGS SHALL BE GALVANIZED STEEL AND BALL VALVES SHALL BE STAINLESS STEEL.
8. PIPE FLANGE SUPPORTS SHALL BE HOT DIP GALVANIZED BOLTED TO FLANGE TO PREVENT PIPE ROTATION. ANCHOR TO FLOOR WITH STAINLESS STEEL ANCHORS. COOPER B-LINE MODEL B3094 AND B3088 OR EQUAL.
9. PRESSURE GAUGES SHALL BE BOURDON STYLE MINIMUM 4.5-INCH DIAL DRY CASE SCALED 0-160 PSI, ACCURACY  $\pm 1.0\%$  OF SPAN. CASE AND INTERIOR MOVEMENT COMPONENTS SHALL BE STAINLESS STEEL. CONNECT TO PIPING USING POLYPROPYLENE TUBE. MOUNT TO VAULT WITH ALUMINUM MOUNTING PLATE AND STAINLESS STEEL HARDWARE, WIKA SERIES 232.50 OR EQUAL.
10. PAINT ALL PIPING AND EQUIPMENT INSIDE VAULT AFTER ASSEMBLY WITH TWO COATS OF TNE MEC N140 POTAPOX AT 4.0-6.0 MILS DFT, SAFETY BLUE.

Del-Co  
Water Co., Inc.

6773 OLENTANGY RIVER RD.  
DELAWARE, OH 43015

## MASTER PRESSURE REDUCING VALVE VAULT

REVISED  
15-JULY 14

SCALE  
NONE

PAGE 3 OF 3

D-25

