

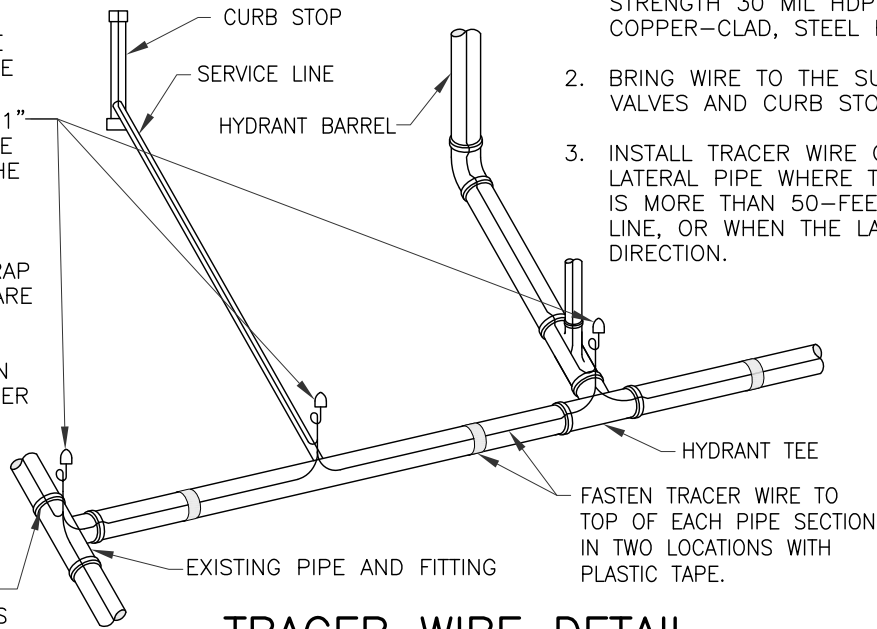
### INSTALLATION OF TRACER WIRE AT VALVE BOXES, CURB STOPS & FIRE HYDRANTS

NTS

**NOTES:**

1. TRACER WIRE SHALL BE 12-GAUGE HIGH STRENGTH 30 MIL HDPE JACKET, COPPER-CLAD, STEEL REINFORCED.
2. BRING WIRE TO THE SURFACE AT ALL VALVES AND CURB STOPS.
3. INSTALL TRACER WIRE ON FIRE HYDRANT LATERAL PIPE WHERE THE FIRE HYDRANT IS MORE THAN 50- FEET FROM THE MAIN LINE, OR WHEN THE LATERAL CHANGES DIRECTION.

SPLICES & SERVICE LINE CONNECTIONS: LOOP WIRE AND TIE INTO KNOT. CONNECT BY STRIPPING 1" OF INSULATION FROM THE MAIN WIRE AND FROM THE END OF THE LATERAL WIRE. INSTALL BURNDY COPPER SPLIT BOLT KS-15. THOROUGHLY WRAP THE CONNECTOR AND BARE WIRES WITH 3M TEMFLEX2155 RUBBER SPLICING TAPE AND THEN WRAP WITH SCOTCH SUPER 88 HEAVY DUTY GRADE ELECTRICAL TAPE.



TRACER WIRE SHALL BE WRAPPED AROUND BOLTS ON FITTINGS (TYP)

### TRACER WIRE DETAIL

NTS



6658 OLENTANGY RIVER RD.  
 DELAWARE, OH 43015  
 PHONE: (740) 548-7746  
 FAX: (740) 548-2089

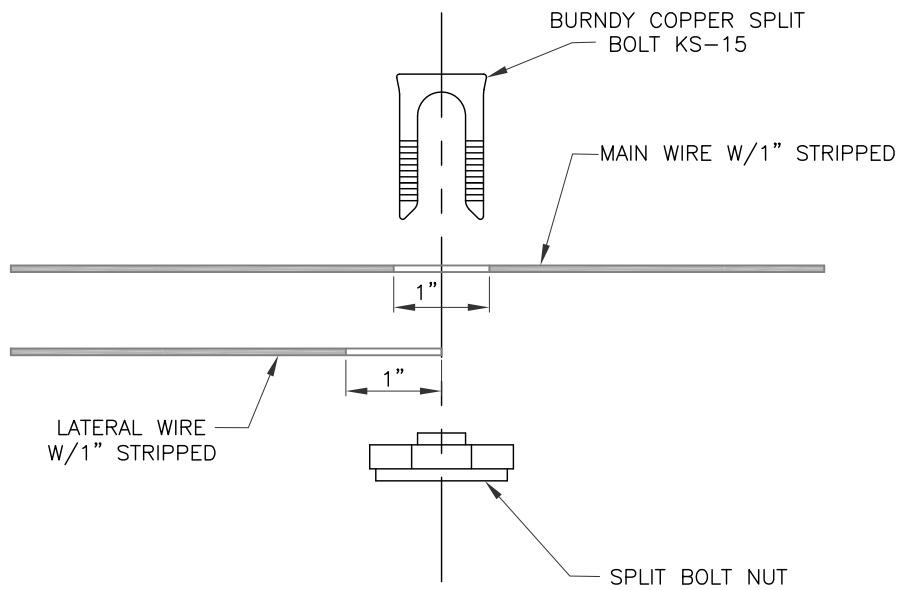
## TRACER WIRE DETAIL

REVISED  
4-26-16

SCALE  
NTS

PAGE 1 OF 2

D-24



6658 OLENTANGY RIVER RD.  
DELAWARE, OH 43015  
PHONE: (740) 548-7746  
FAX: (740) 548-2089

# TRACER WIRE DETAIL

REVISED  
4-26-16

SCALE  
NTS

PAGE 2 OF 2

D-24