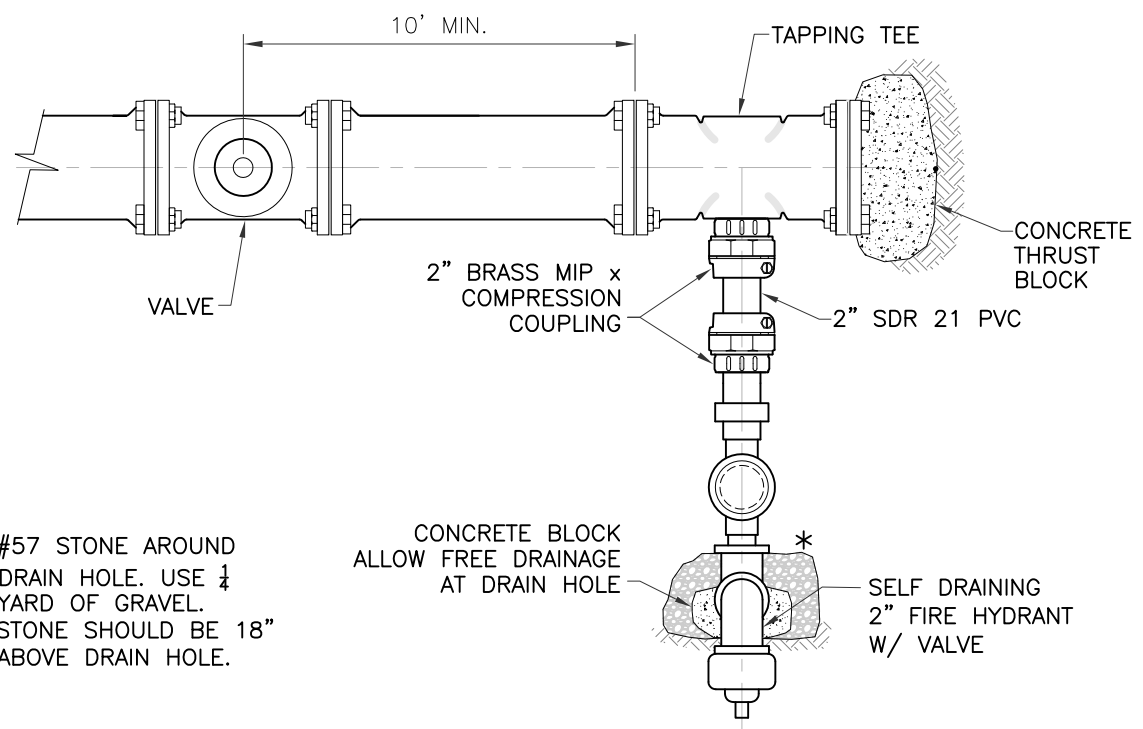


FOR MAINLINE ≤ 4"
NTS



FOR MAINLINE > 4"
NTS

* #57 STONE AROUND DRAIN HOLE. USE ¼ YARD OF GRAVEL. STONE SHOULD BE 18" ABOVE DRAIN HOLE.

CONCRETE BLOCK ALLOW FREE DRAINAGE AT DRAIN HOLE

**END OF LINE
2" FIRE HYDRANT DETAIL**

Del-Co
Water Co., Inc.
6773 OLENTANGY RIVER RD.
DELAWARE, OH 43015

REVISED
12-12-14

SCALE
NTS

PAGE 1 OF 1

D-22

