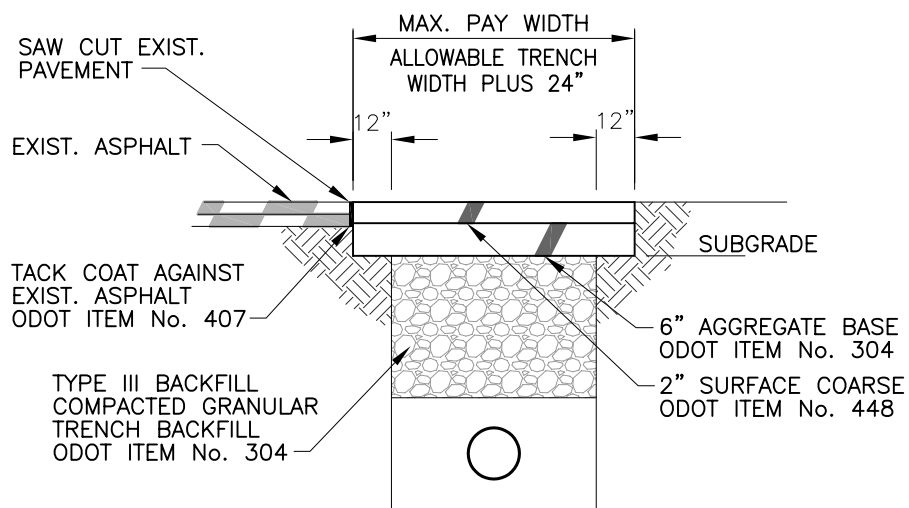


E:\Construction\Standard Details\Del-Co\ID-17 Asphalt Driveway Pavement Replacement.dwg, 1. 12/13/2004 3:44:04 PM, PER



Del-Co
Water Co., Inc.
6773 OLENTANGY RIVER RD.
DELAWARE, OH 43015

ASPHALT DRIVEWAY PAVEMENT REPLACEMENT

REVISED
01 DEC 04

SCALE
NTS

PAGE 1 OF 1

D-17