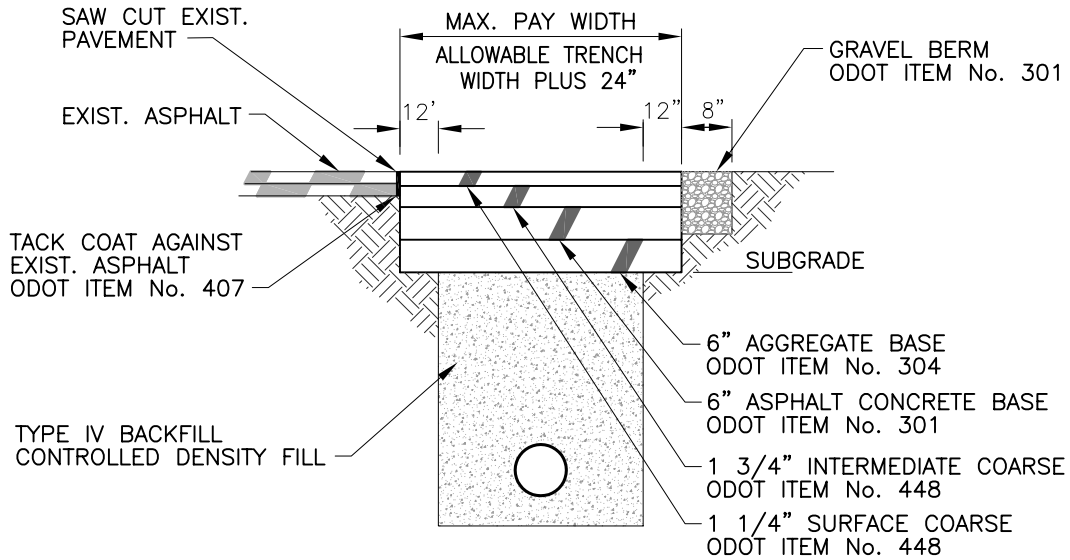


E:\Construction\Standard Details\Del-Co\ID-16 Asphalt Roadway Pavement Replacement.dwg, 1, 12/13/2004 3:12:04 PM, PER



ASPHALT ROADWAY PAVEMENT REPLACEMENT

NTS



**Del-Co
Water Co., Inc.**
6773 OLENTANGY RIVER RD.
DELAWARE, OH 43015

ASPHALT ROADWAY PAVEMENT REPLACEMENT

REVISED
01 DEC 04

SCALE
NTS

PAGE 1 OF 1

D-16