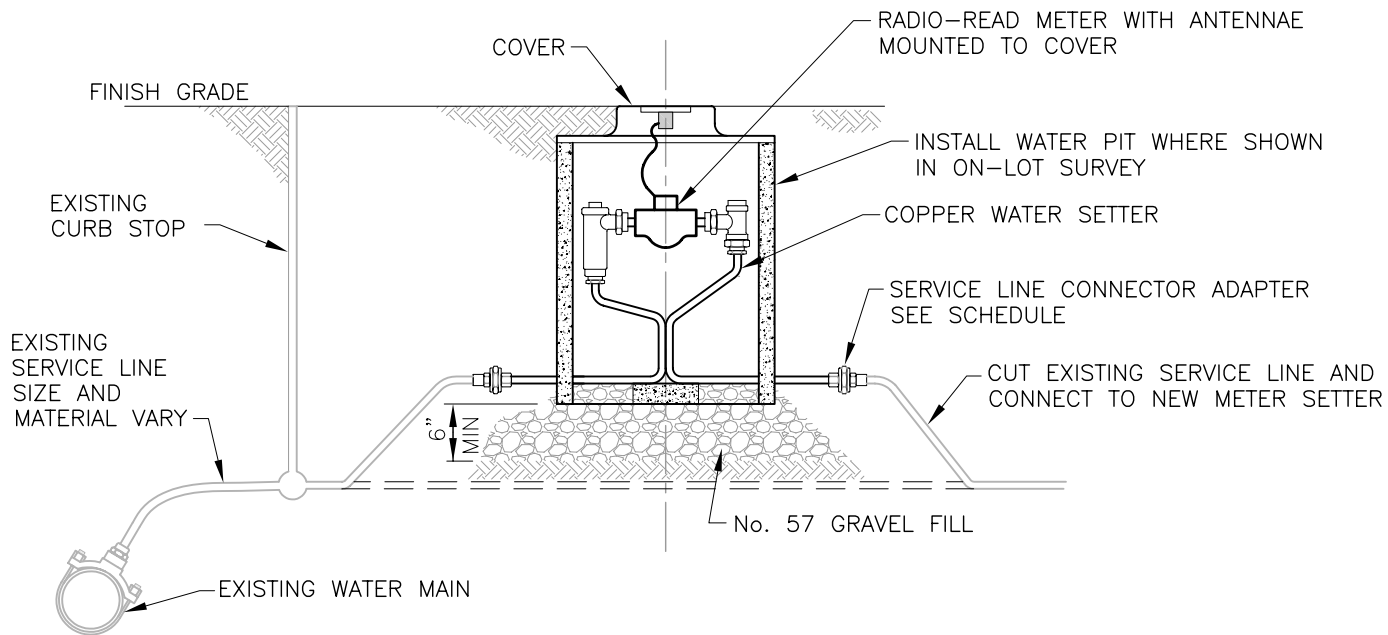


E:\Construction\Standard Details\Del-Co\ID-12 Meter Installation Existing Service Line.dwg, 1, 12/13/2004 11:04:00 AM, PER

SERVICE LINE CONNECTOR ADAPTER SCHEDULE	
EXIST. SERVICE LINE TYPE	CONNECTOR ADAPTER
COPPER TUBING	BRASS COMPRESSION
COPPER TUBE SIZE PE	BRASS COMPRESSION W/ STAINLESS STEEL INSERT
GALV. RIGID PIPE	GALV. COMPRESSION
THINWALL PE	BRASS BARB W/ STAINLESS STEEL CLAMPS



NOTES

1. COMPACT SOIL AROUND METER PIT. FINE GRADE AND REMOVE ALL ROCKS AND DEBRIS.
2. SEED AND MULCH ALL GRASS AREAS DISTURBED BY CONSTRUCTION.
3. REPLACE GRAVEL PAVEMENT AREAS TO ORIGINAL CONDITION. PROVIDE MIN. 4" GRAVEL WHERE DISTURBED.
4. REMOVE EXCESS FILL OFFSITE OR ADD SUITABLE FILL AS REQUIRED.
5. COMPLETE AS-BUILT RECORD FOR EACH PROPERTY WHEN METER PIT IS INSTALLED.
6. CONTRACTOR SHALL OBTAIN RIGHT-OF-WAY PERMIT AND OTHER LOCAL PERMITS AS MAY BE REQUIRED.



**Del-Co
Water Co., Inc.**
6773 OLENTANGY RIVER RD.
DELAWARE, OH 43015

METER INSTALLATION EXISTING SERVICE LINE	
REVISED 01 DEC 04	SCALE NTS
PAGE 1 OF 1	D-12