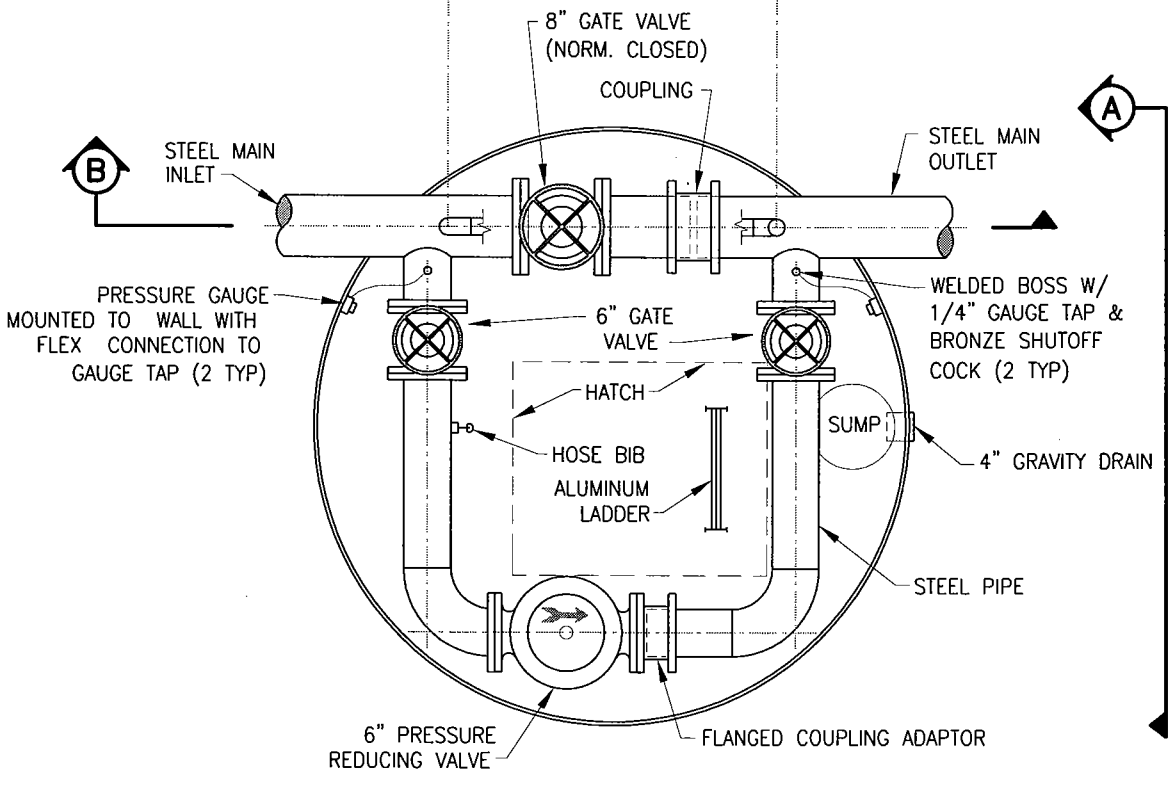
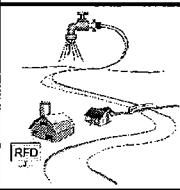


SECTION B



INTERIOR PLAN



**Del-Co
Water Co., Inc.**
6773 OLENTANGY RIVER RD.
DELAWARE, OH 43015

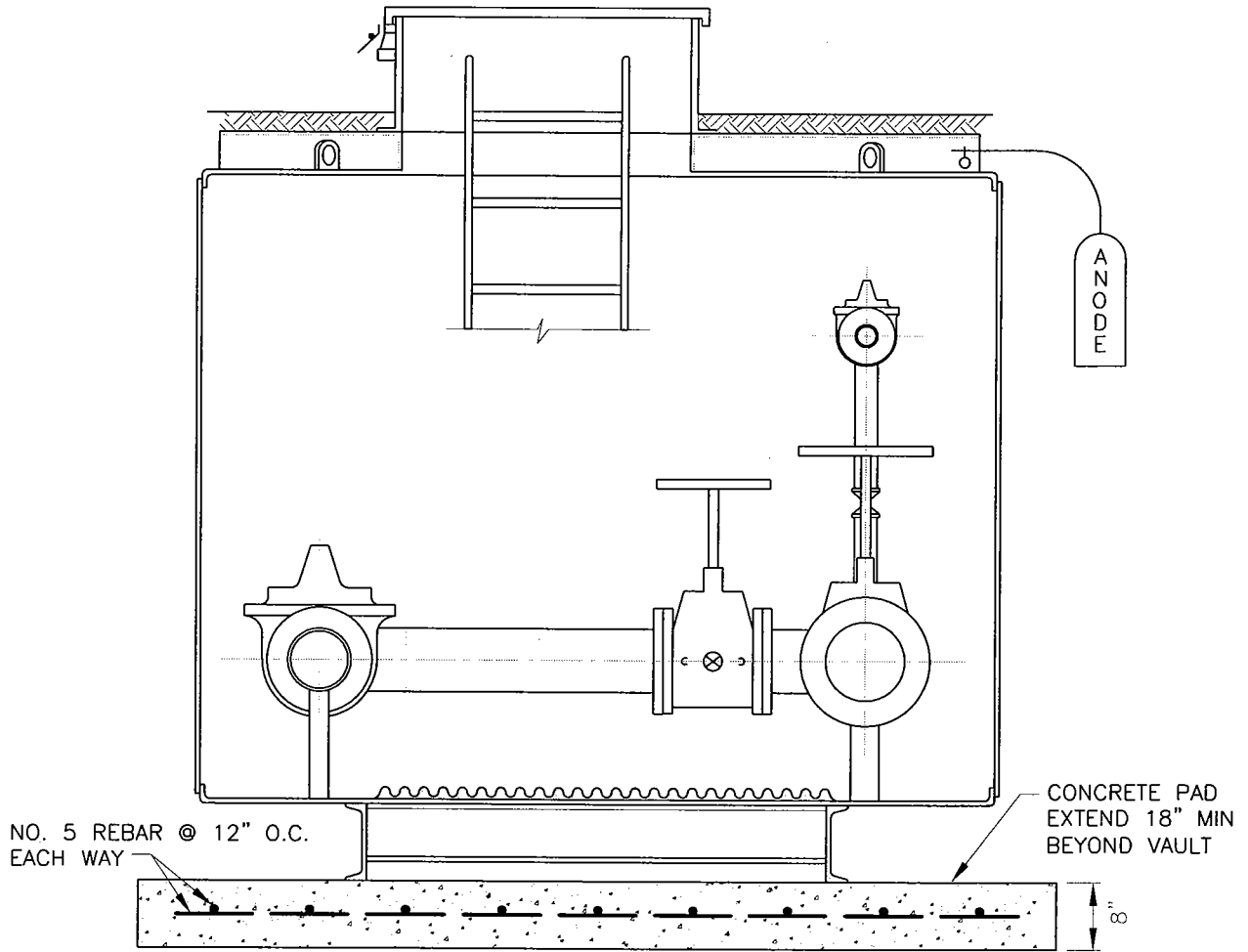
PRESSURE REDUCING STATION PLAN

REVISED
26 NOV 07

SCALE
NTS

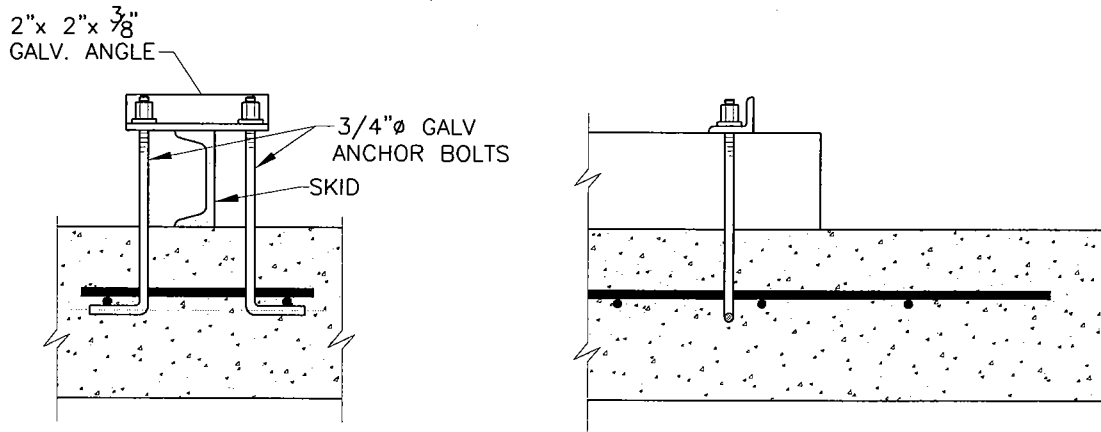
PAGE 1 OF 3

D-11



NOTE: PROVIDE FOUR ANCHOR ASSEMBLIES TOTAL.

SECTION A



TYPICAL ANCHOR DETAIL



**Del-Co
Water Co., Inc.**
6773 OLENTANGY RIVER RD.
DELAWARE, OH 43015

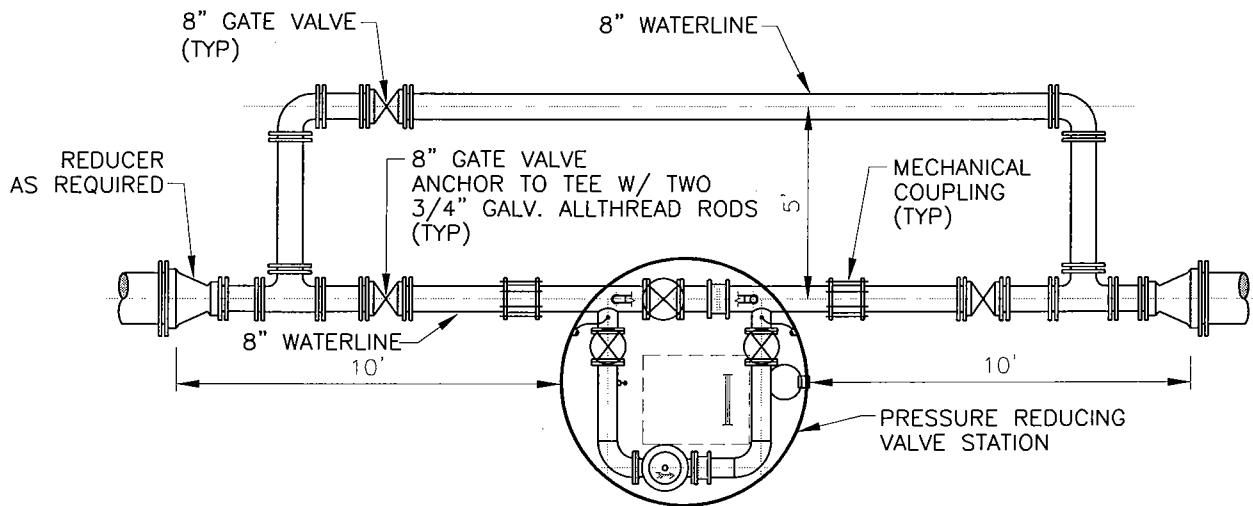
**PRESSURE REDUCING STATION
SECTION**

REVISED
26 NOV 07

SCALE
NTS

PAGE 2 OF 3

D-11



PLAN VIEW WITH BYPASS PIPING

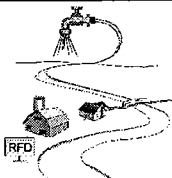
NOTES:

1. PRESSURE REDUCING STATION SHALL BE MANUFACTURED BY ENGINEERED FLUID, INC. (E.F.I.), CENTRALIA, ILLINOIS.
2. PRESSURE REDUCING VALVES SHALL BE CLA-VAL MODEL 90G-01ABCS WITH STAINLESS STEEL TRIM, AND X-101 VALVE POSITION INDICATORS.
3. ALL PIPING SHALL BE SCHEDULE 40 STEEL PIPE WITH FUSION BONDED EPOXY ON INTERIOR.
4. ALL FITTINGS SHALL BE INTEGRAL TO THE STATION.
5. PROVIDE TWO COATS TNEEC SERIES 66 HI-BUILD EPOXOLINE ON ALL STEEL SURFACES, MIN. 4 MILS DFT PER COAT.
6. COAT INTERIOR OF ALL PIPE WITH FUSION BONDED EPOXY.
7. PROVIDE DEL-CO WATER WITH SHOP SUBMITALS FOR APPROVAL PRIOR TO FABRICATION.
8. HYDRAULIC CONDITIONS

INLET PRESSURE: _____

SMALL PRV SETTING: _____

LARGE PRV SETTING: _____



**Del-Co
Water Co., Inc.**
6773 OLENTANGY RIVER RD.
DELAWARE, OH 43015

**PRESSURE REDUCING STATION
INSTALLATION**

REVISED
26 NOV 07

SCALE
NTS

PAGE 3 OF 3

D-11