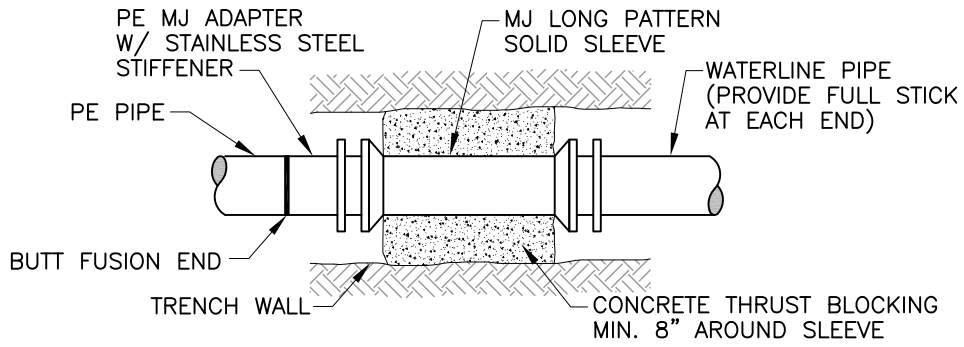
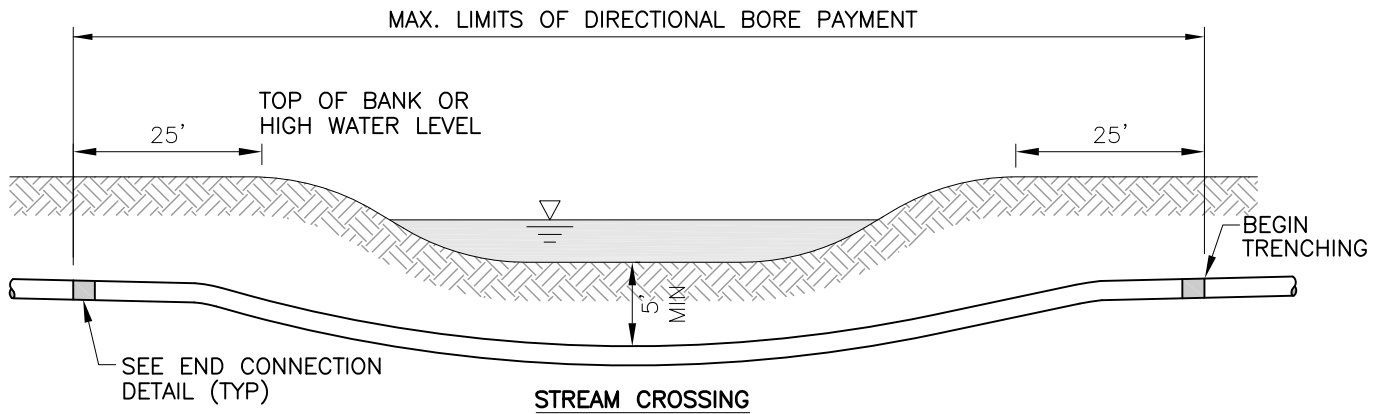


E:\Construction\Subdivision Standards\Details - DWG\ID-09 Horizontal Directional Drilling.dwg, 1, 3/24/2011 9:06:17 AM, DAW



**END CONNECTION DETAIL**



**Del-Co  
Water Co., Inc.**  
6773 OLENTANGY RIVER RD.  
DELAWARE, OH 43015

# HORIZONTAL DIRECTIONAL DRILLING

REVISED  
3-24-2011

SCALE  
NTS

PAGE 1 OF 1

D-9