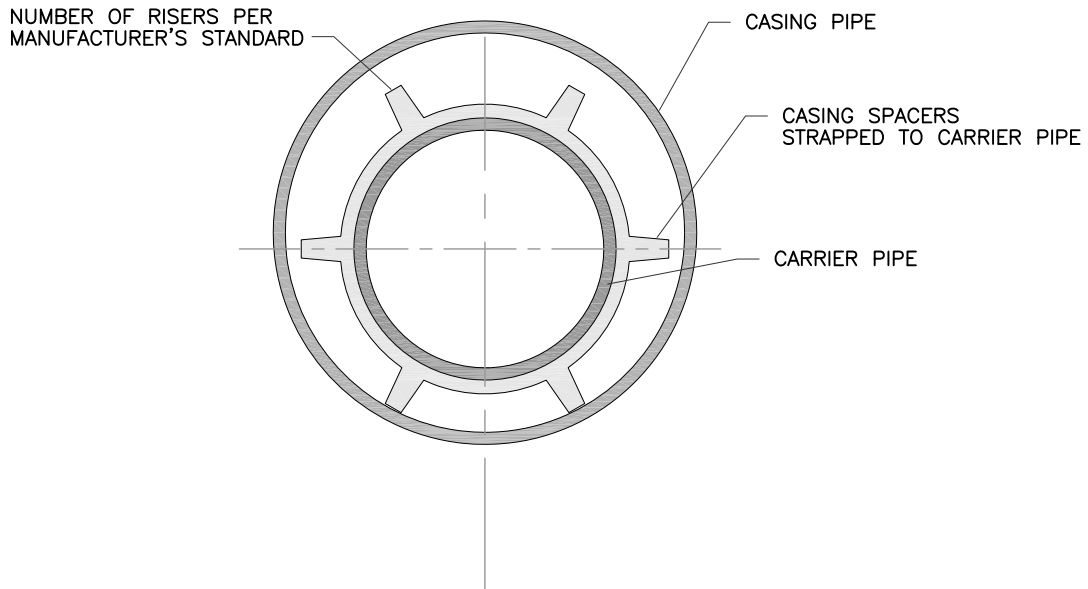


PROVIDE CASING PIPE FOR ALL ROAD CROSSINGS UNLESS OTHERWISE APPROVED BY DEL-CO. CASING PIPE SHALL BE STEEL PIPE WITH 0.375-INCH WALL THICKNESS, OR PVC C900 FOR WATER LINES 12-INCH DIAMETER OR LESS. CASINGS FOR WATER LINES LARGER THAN 12-INCH DIAMETER MAY BE AWWA C905. INSIDE DIAMETER OF THE CASING PIPE SHALL NOT EXCEED 3 INCHES OF THE OUTSIDE DIAMETER OF THE CARRIER PIPE AND CASING SPACERS.



6658 OLENTANGY RIVER RD.
 DELAWARE, OH 43015
 PHONE: (740) 548-7746
 FAX: (740) 548-2089

CASING DETAIL – ROAD CROSSING

REVISED
 2 MAY 17

SCALE
 NTS

PAGE 1 OF 1

D-8