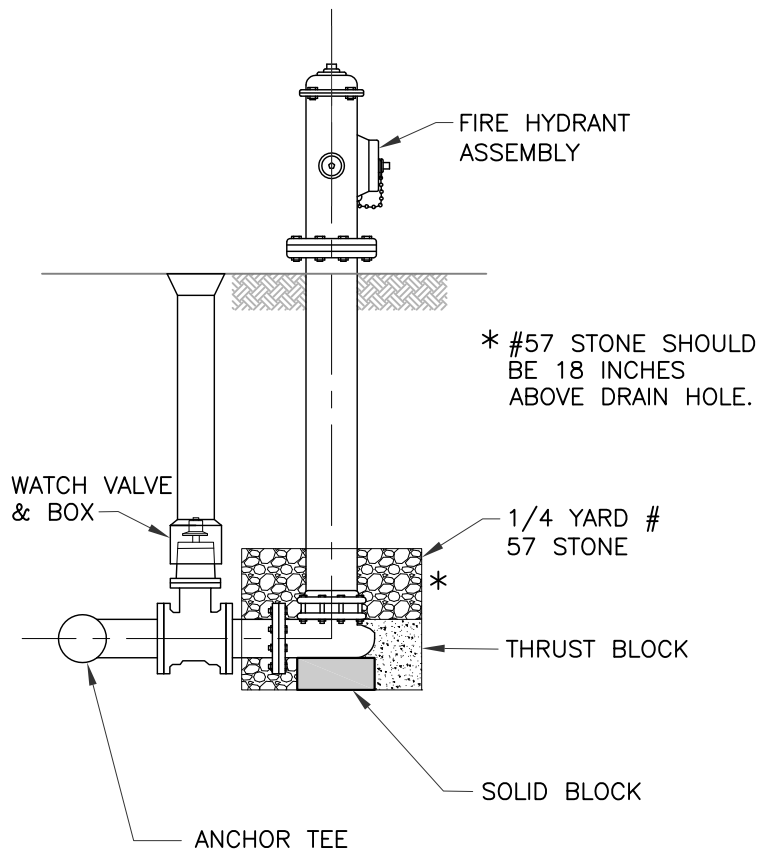


MAIN LINE	DIMENSION L (MINIMUM)
6"	35"
8"	36"
12"	39"
16"	42"

NOTES:

- FIRE HYDRANTS SHALL BE SET A MINIMUM OF 6' FROM ALL DRIVEWAY OPENINGS.
- * CREATE A DRY WELL AROUND HYDRANT DRAIN USING 1/4 YARD OF #57 GRAVEL.



Del-Co
Water Co., Inc.
6773 OLENTANGY RIVER RD.
DELAWARE, OH 43015

HYDRANT SETTING TYPE A

REVISED
31 OCT 14

SCALE
NTS

PAGE 1 OF 1

D-2